



COASTAL STREET LIGHTING COLUMNS



COASTAL STEEL AND GALVANIZING WLL



**COASTAL
QATAR**

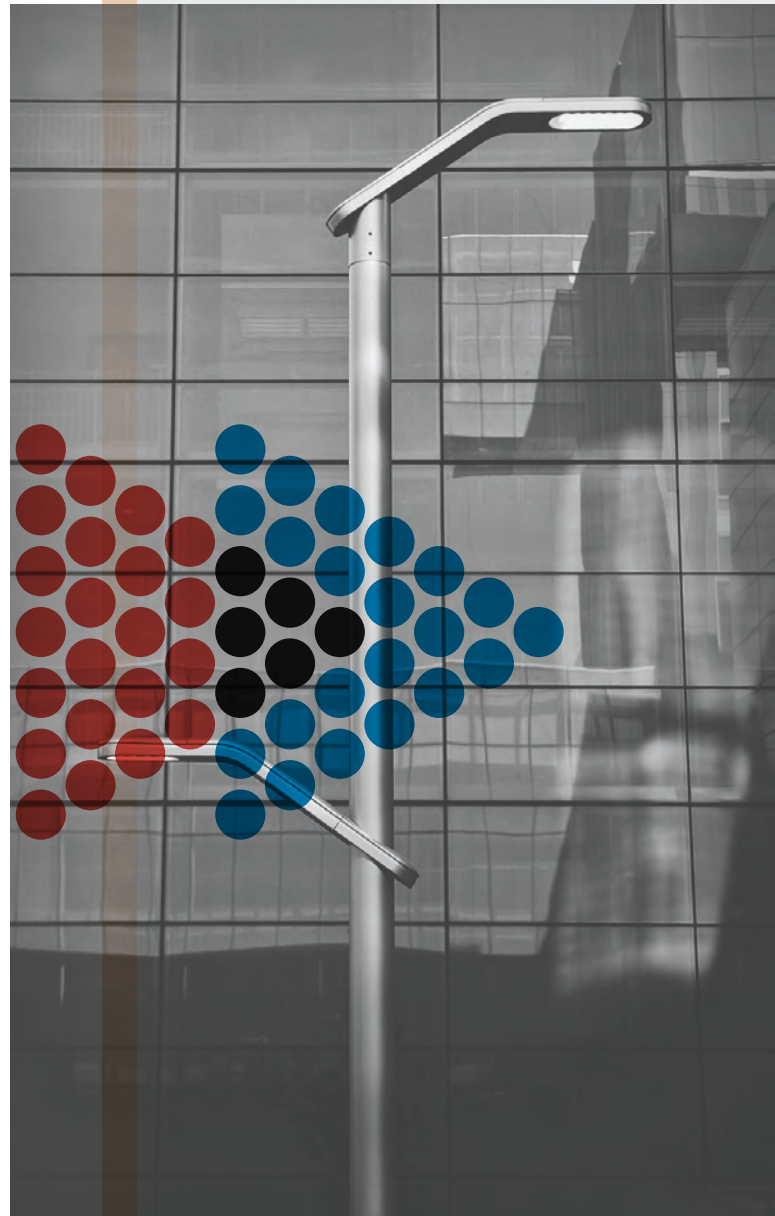
THE CHALLENGEERS

INTRODUCTION

At Coastal Qatar, we have always been about constantly taking on engineering challenges, and pushing the boundaries of engineering innovation.

We believe in “Doing it right, the first time; every time”. It’s simply, our commitment to delivering excellence and incorporating passion into all that we do.

The Coastal street light poles are galvanized in our in-house Hot Dip Galvanizing plant as per BS 5649 to ensure high quality standards and delivery schedule



BRAND PURPOSE STATEMENT

As integrated engineering specialists, our strength lies in embracing engineering challenges, in simplifying the complex problems, and incorporating passion into all that we do. The Coastal way has always been about constantly challenging the boundaries of engineering innovation, commitment to safety, schedule and quality, thereby delivering excellence to the construction and engineering landscape of Qatar

THE COASTAL CULTURE

- We have a free and an open structure that inspires trust
- We are a diverse, multi-cultural group of professionals
- We don't overpromise or under deliver
- We aim to exceed expectations
- We Believe in 'Doing it right, the first time and every time'
- We are driven by and towards accelerated growth, doing it the most ethical way

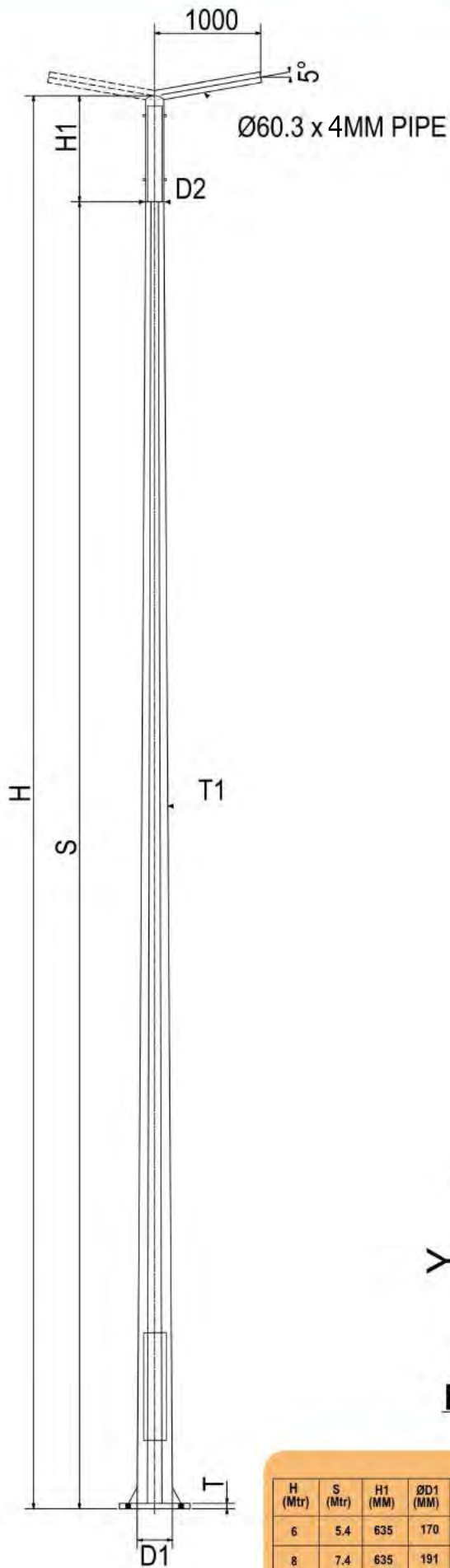
THE COASTAL VALUES

- Ongoing Innovation & Professionalism
- High levels of Domain Knowledge & Expertise
- Meticulous Planning & Driven By Process
- Acute Transparency & Valuing Relationships



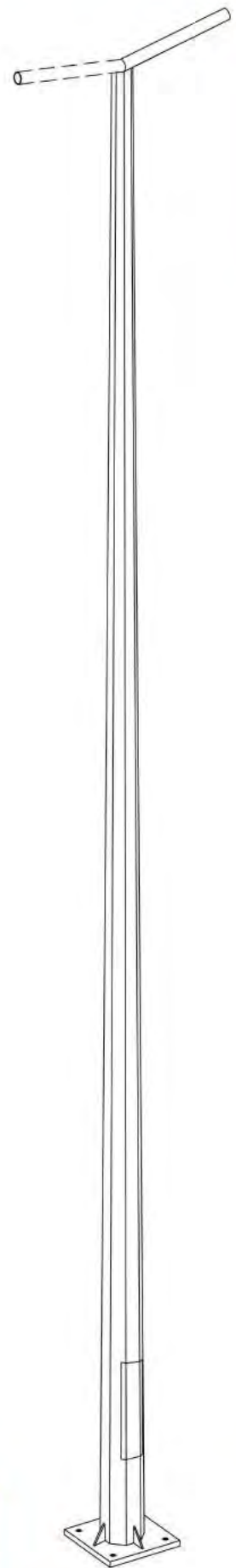


06 - 08 METER OCTOGONAL POLE (SINGLE ARM BRACKET)

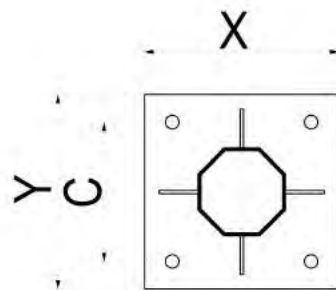
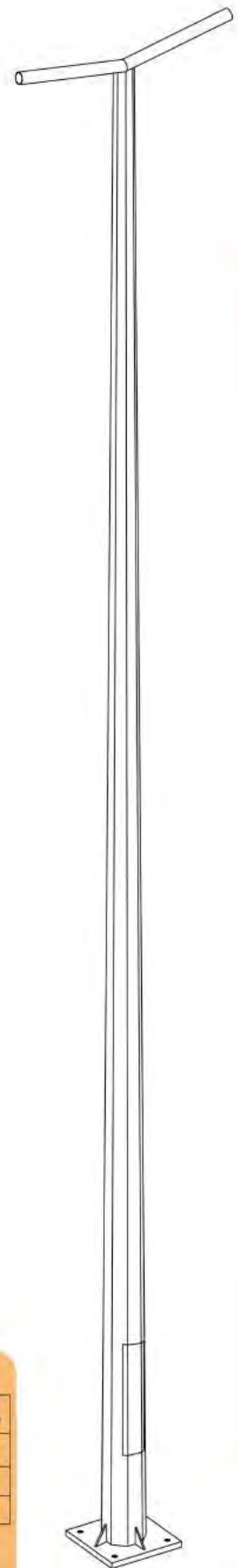
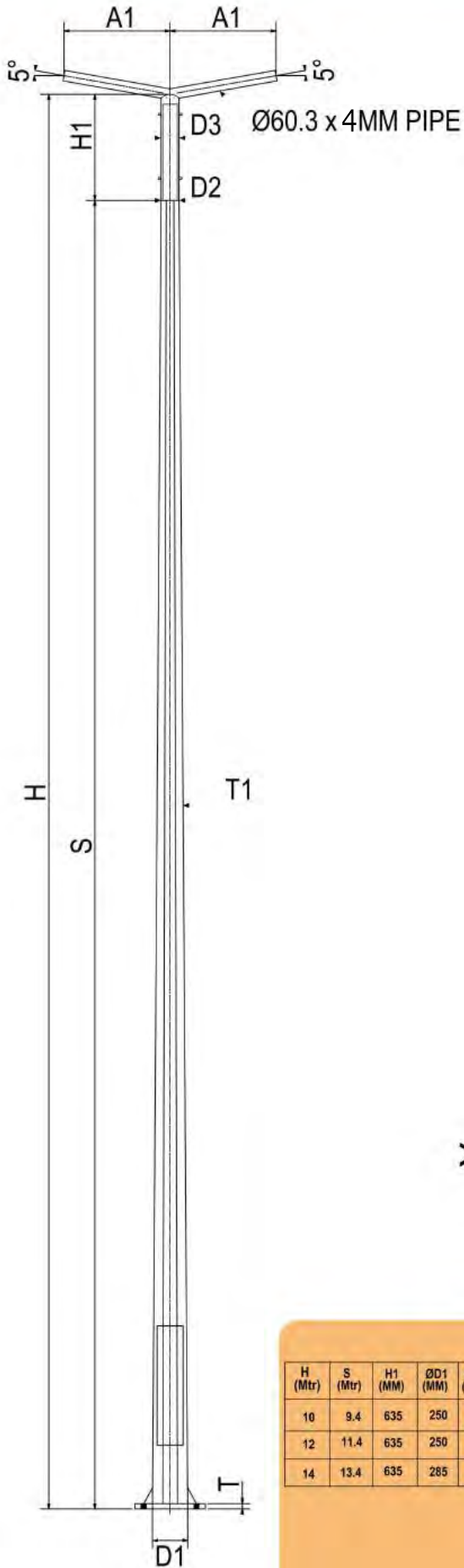


BASE PLATE DETAIL

H (Mtr)	S (Mtr)	H1 (MM)	ØD1 (MM)	ØD2 (MM)	T1 (MM)	X x Y x T (MM)	C (MM)	Foundation Bolt Ø x Length	A (MM)	B (MM)
6	5.4	635	170	78	4	400x400x20	250	M25x800	600	110
8	7.4	635	191	78	4	450x450x20	300	M25x800	600	130



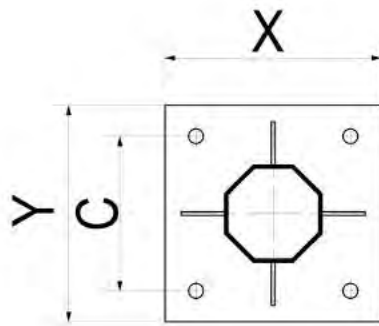
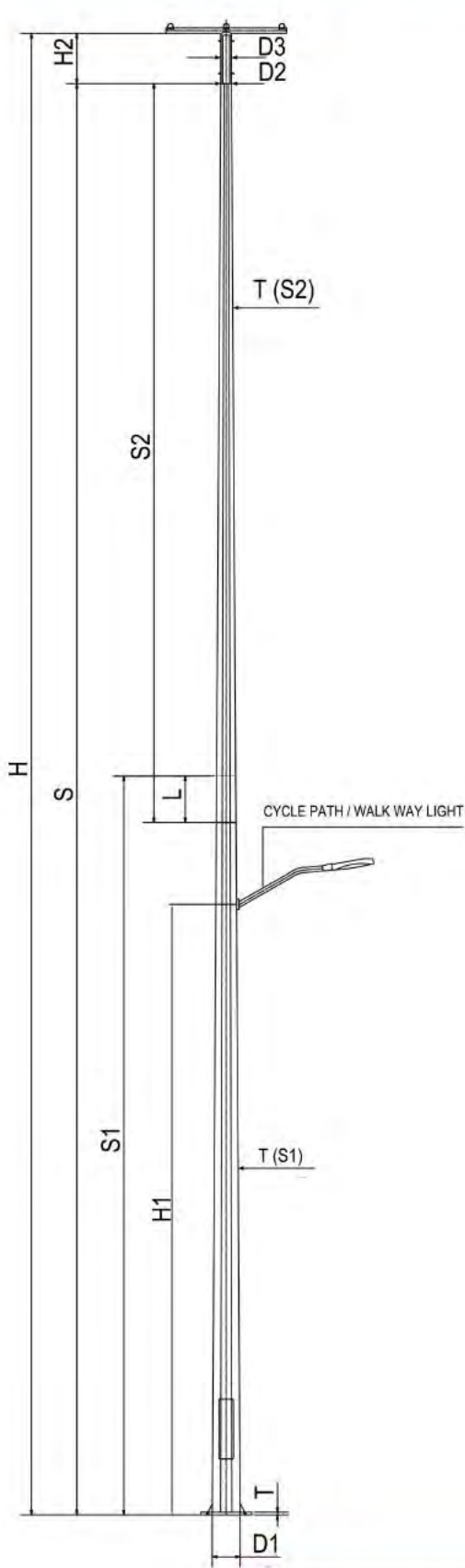
10 - 14 METERS HIGH OCTAGONAL POLE (Double Arm Bracket)



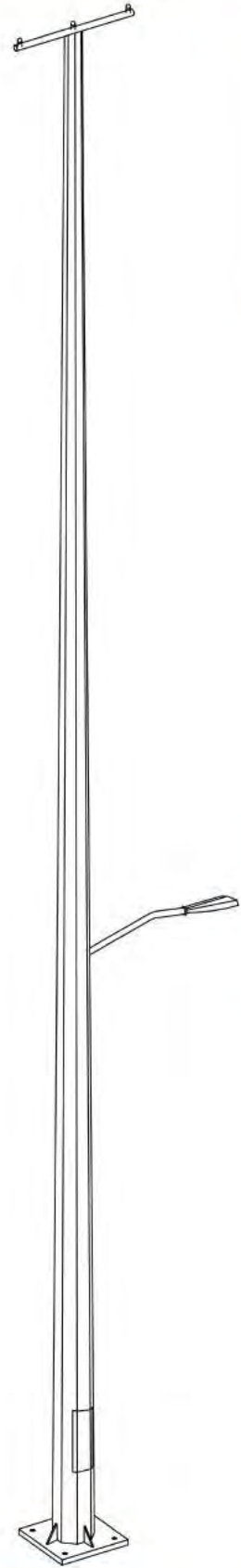
BASE PLATE DETAIL

H (Mtr)	S (Mtr)	H1 (MM)	ØD1 (MM)	ØD2 (MM)	ØD3 (MM)	T1 (MM)	A1 (MM)	X x Y x T (MM)	C (MM)	Foundation Bolt Ø x Length	A (MM)	B (MM)
10	9.4	635	250	78	76.1	4	2000	450x450x25	300	M25x800	600	135
12	11.4	635	250	78	76.1	4	2500	450x450x30	300	M33x900	600	135
14	13.4	635	285	90	76.1	4	2500	450x450x30	300	M33x900	600	135

14 - 16 METERS HIGH OCTAGONAL POLE (DOUBLE ARM BRACKET)

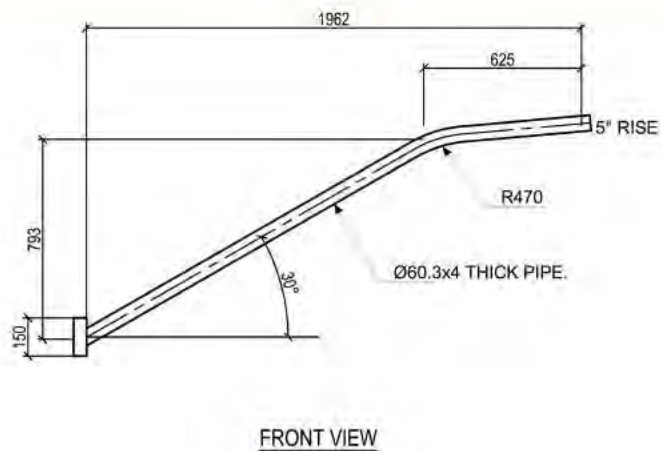
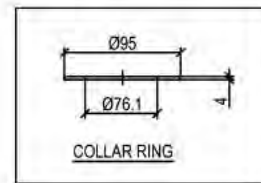
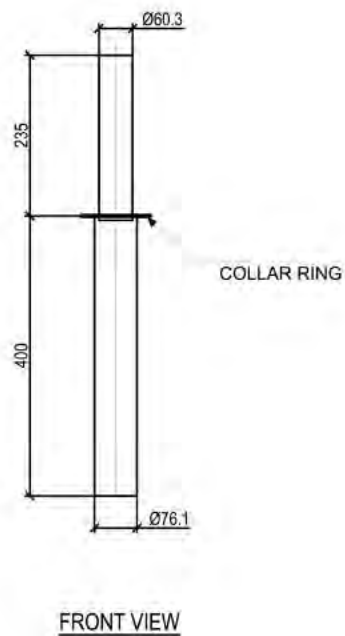
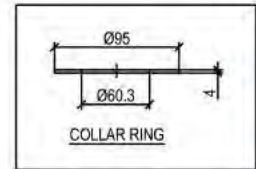
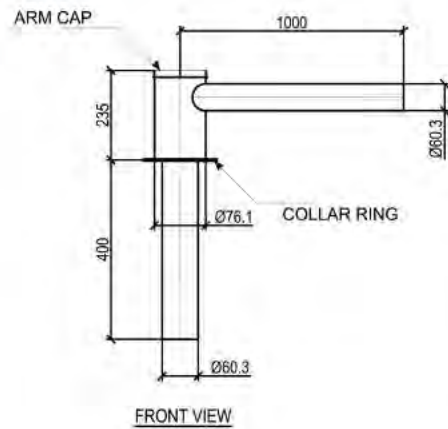
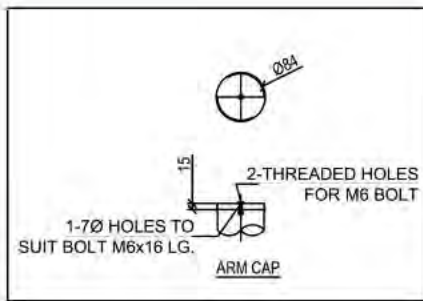


BASE PLATE DETAIL

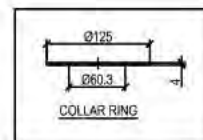
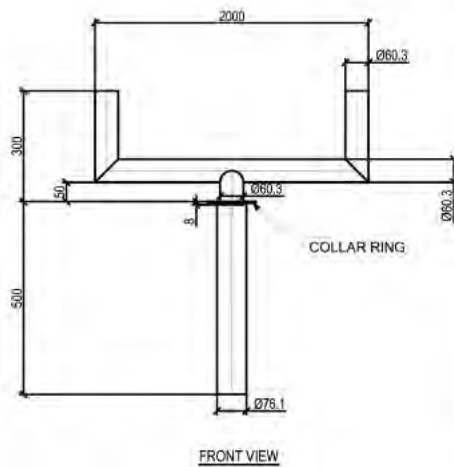
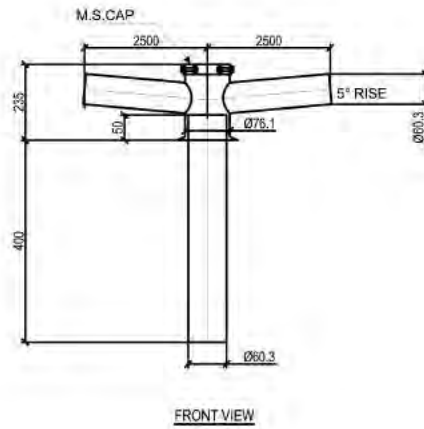
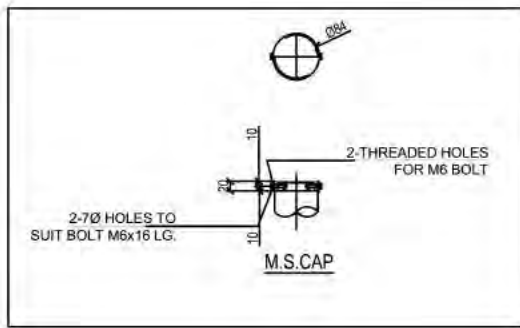
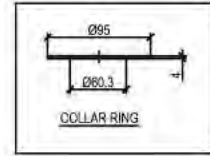
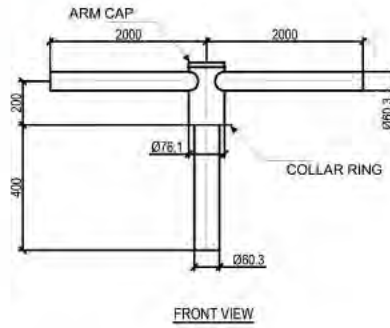
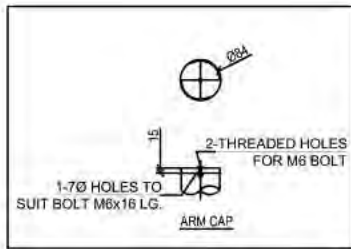


H (Mtr)	S (Mtr)	S1 (Mtr)	S2 (Mtr)	H1 (Mtr)	H2 (MM)	L (MM)	ØD1 (MM)	ØD2 (MM)	ØD3 (MM)	T (MM)		X x Y x T (MM)	C (MM)	Foundation Bolt Ø x Length	A (MM)	B (MM)
										S1	S2					
14	13.4	7.5	7.0	6.0	635	450	285	90	76.1	4	4	450x450x30	300	M33x900	600	135
16	15.4	8.2	7.7	6.0	635	600	320	105	76.1	4	4	450x450x30	300	M33x900	600	135

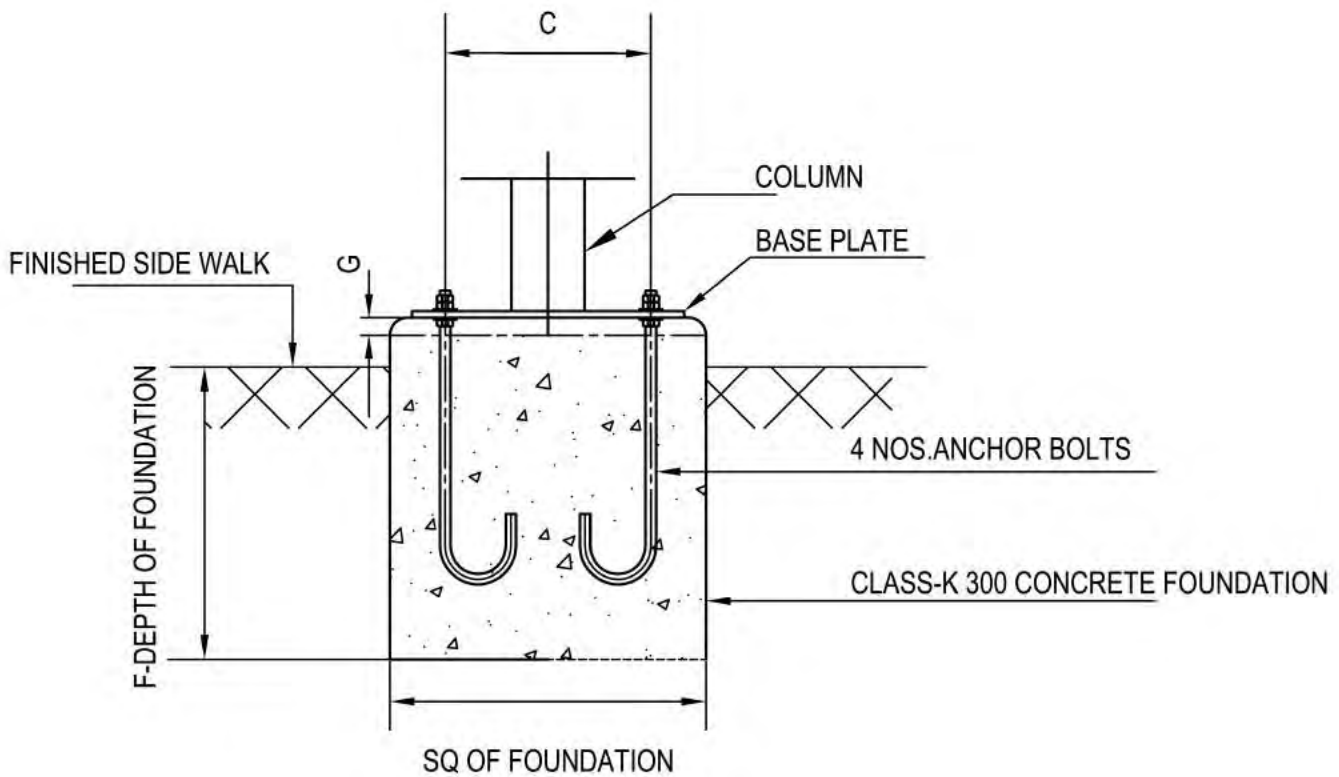
TYPES OF SINGLE ARMS FRONT VIEW



TYPES OF DOUBLE ARMS FRONT VIEW

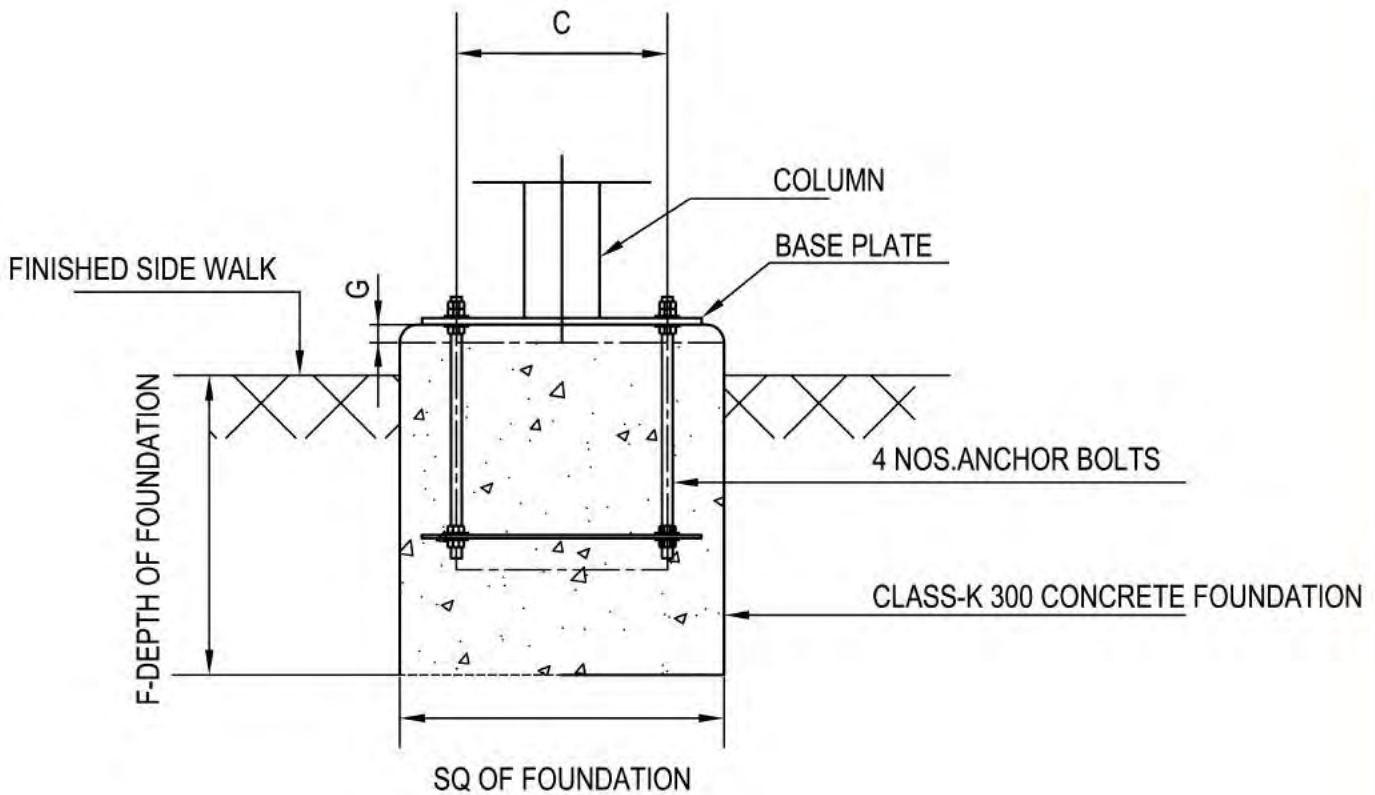


DETAIL OF CONCRETE FOUNDATION FOR STREET LIGHTING POLE (TYPE "J")



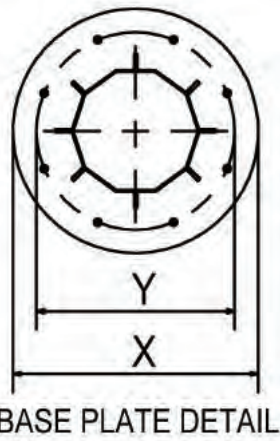
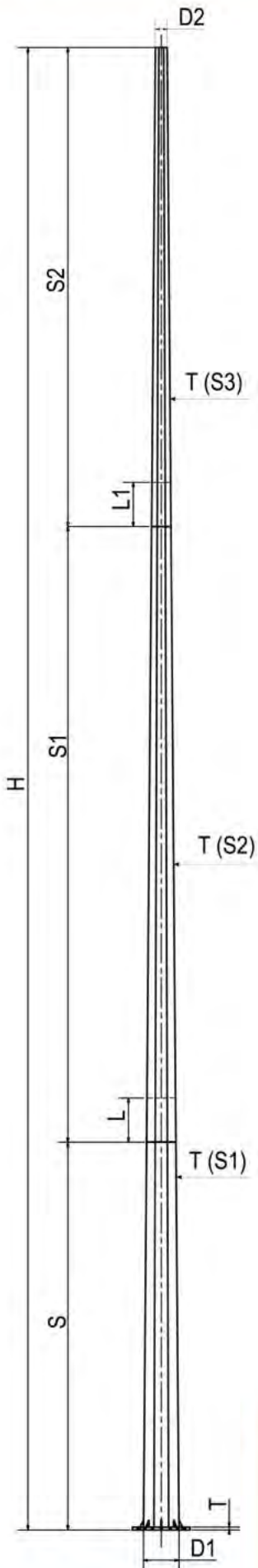
S.No	HEIGHT OF POLE	SQUARE "SQ"	DEPTH "F"	GROUT "G"	NO. OF D-16 BARS	CENTER - "C"	FOUNDATION BOLT Øx LENGTH
1	6 Mtr.	650 mm	1.5 M	50	8	325	M25 x 800
2	8 Mtr.	650 mm	1.5 M	50	8	325	M25 x 800
3	10 Mtr.	900 mm	1.5 M	60	12	450	M25 x 800
4	12 Mtr.	900 mm	2.5 M	60	12	450	M33 x 900
5	14 Mtr.	900 mm	2.5 M	60	12	450	M33 x 900
6	16 Mtr.	900 mm	2.5 M	60	12	450	M33 x 900
7	25 Mtr.	1500 mm	4.0 M	150	24	750	M36 x 1200
8	30 Mtr.	1500 mm	4.0 M	150	24	750	M36 x 1200
9	35 Mtr.	1500 mm	4.0 M	150	24	750	M36 x 1200

DETAIL OF CONCRETE FOUNDATION FOR HIGH MAST POLE (TYPE "I")



S.No	HEIGHT OF POLE	SQUARE "SQ"	DEPTH "F"	GROUT "G"	NO. OF D-16 BARS	CENTER - "C"	FOUNDATION BOLT Øx LENGTH
1	6 Mtr.	650 mm	1.5 M	50	8	325	M25 x 800
2	8 Mtr.	650 mm	1.5 M	50	8	325	M25 x 800
3	10 Mtr.	900 mm	1.5 M	60	12	450	M25 x 800
4	12 Mtr.	900 mm	2.5 M	60	12	450	M33 x 900
5	14 Mtr.	900 mm	2.5 M	60	12	450	M33 x 900
6	16 Mtr.	900 mm	2.5 M	60	12	450	M33 x 900
7	25 Mtr.	1500 mm	4.0 M	150	24	750	M36 x 1200
8	30 Mtr.	1500 mm	4.0 M	150	24	750	M36 x 1200
9	35 Mtr.	1500 mm	4.0 M	150	24	750	M36 x 1200

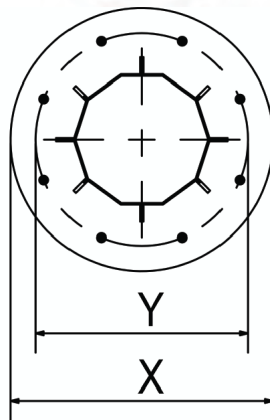
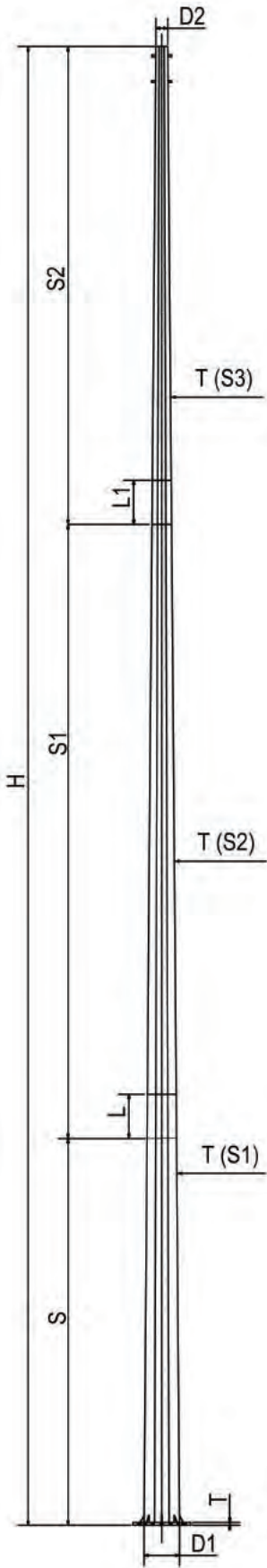
25 METERS HIGH MAST



H (Mtr)	S (Mtr)	S1 (Mtr)	S2 (Mtr)	L (MM)	L1 (MM)	ØD1 (MM)	ØD2 (MM)	T (MM)			X x T (MM)	Y (MM)	Foundation Bolt Ø x Length
								S1	S2	S3			
25	8	8	9	850	650	600	200	6	5	4	840x30	730	36x1200



30 METERS HIGH MAST

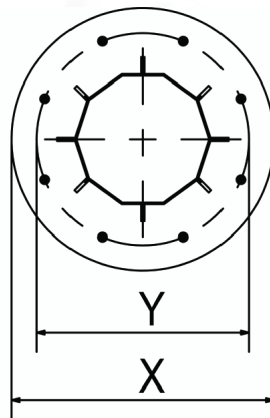
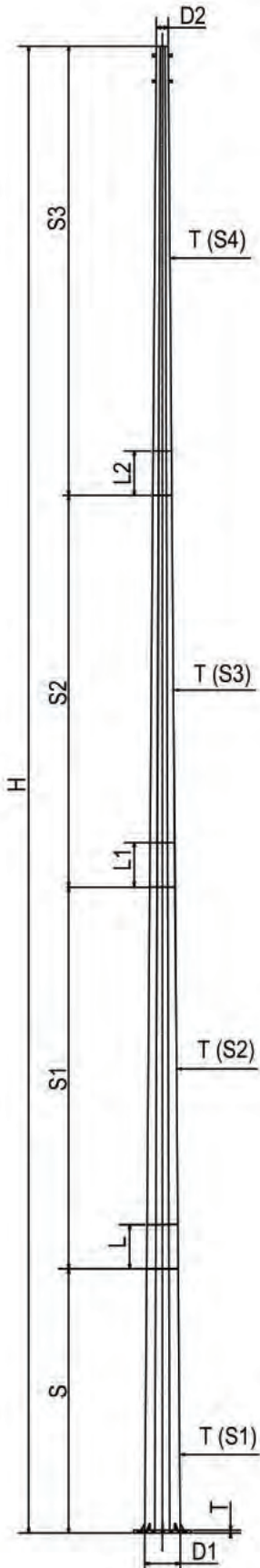


BASE PLATE DETAIL



H (Mtr)	S (Mtr)	S1 (Mtr)	S2 (Mtr)	L (MM)	L1 (MM)	ØD1 (MM)	ØD2 (MM)	T (MM)			X x T (MM)	Y (MM)	Foundation Bolt Ø x Length
								S1	S1	S1			
30	10	10	10	750	600	525	150	6	5	4	725x30	625	30x1200

35 METERS HIGH MAST

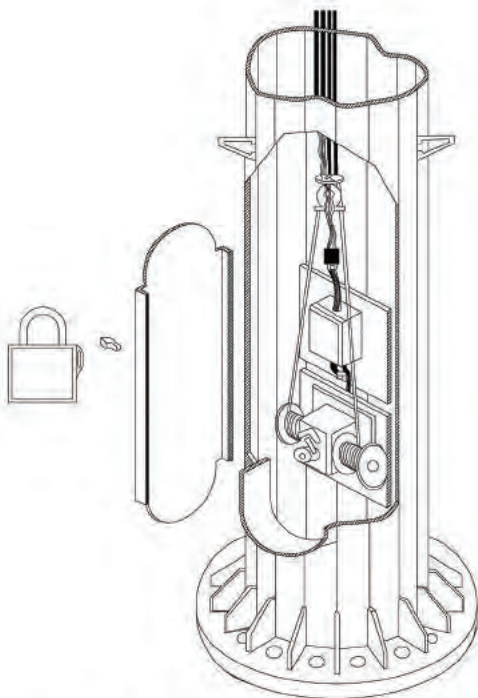
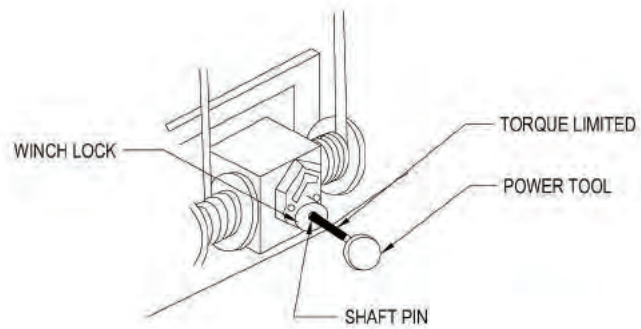
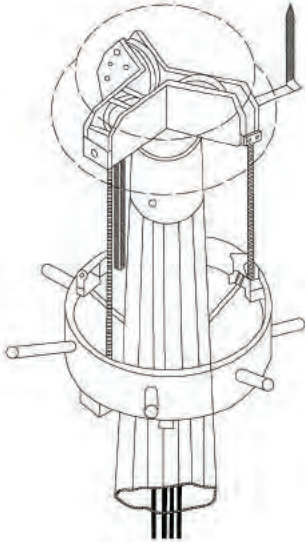


BASE PLATE DETAIL

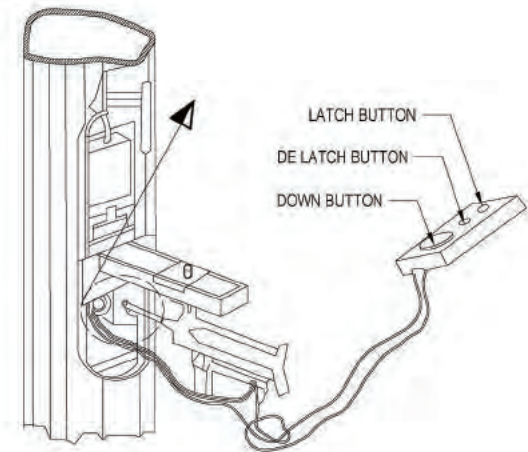


H (Mtr)	S (Mtr)	S1 (Mtr)	S2 (Mtr)	S3 (Mtr)	L (MM)	L1 (MM)	L2 (MM)	ØD1 (MM)	ØD2 (MM)	T (MM)				X x T (MM)	Y (MM)	Foundation Bolt Ø x Length
										S1	S2	S3	S4			
35	5	10	10	10	1100	850	650	680	180	6	5	5	4	930x50	830	30x1000

HIGH MAST WINCH WITH MOBILE CROWN

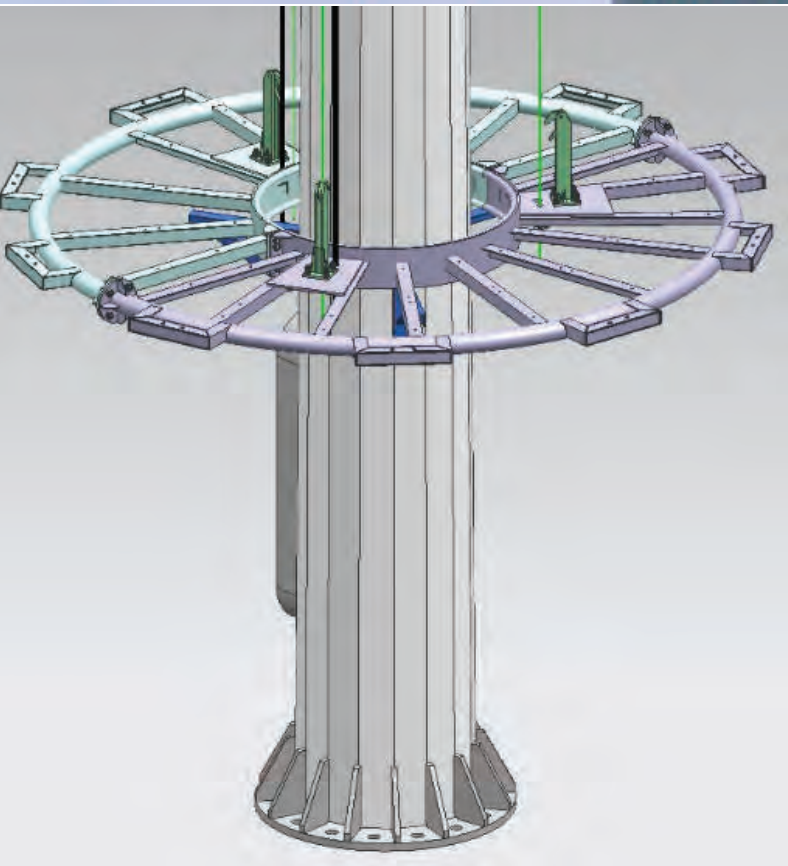


HEAD MAST & BASE COMPARTMENT



POWER TOOLS ARRANGEMENT





COASTAL FACTORY AT NEW INDUSTRIAL AREA



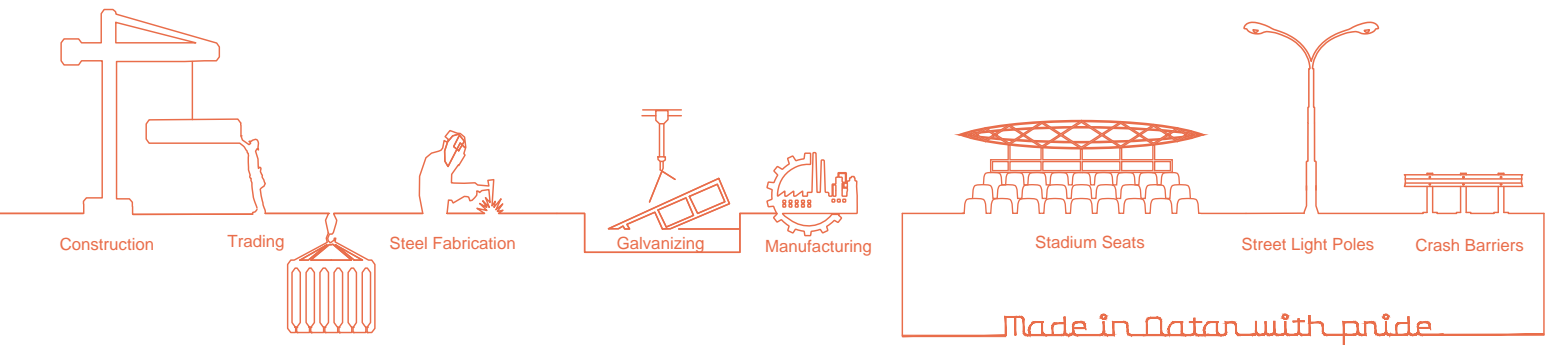
CERTIFICATES





**COASTAL
QATAR**
THE CHALLENGERS

YOUR ENGINEERING NEEDS... UNDER ONE ROOF.



We are Coastal Qatar and We are the Challengers.

ENGINEERING
STEEL & GALVANIZING
MANUFACTURING
TRADING

COASTAL GROUP OF COMPANIES



CERTIFICATIONS

ISO 9001, 14001 & OHSAS 18001 Certified



AWARDS



INTERNATIONAL
QUALITY AWARD

